

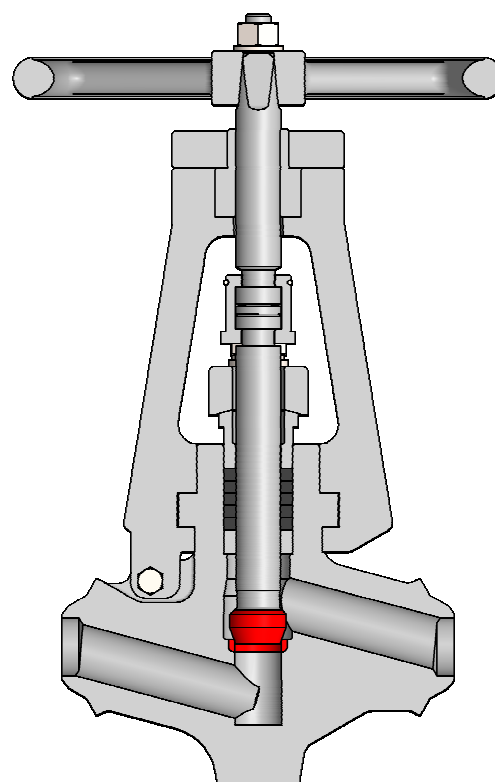
STRAIGHT PATTERN HIGH PRESSURE STOP VALVES with buttweld ends DN10 – DN65 PN320

The valves are designed for application in piping installations. They are manufactured in following versions:

- stop valves with handwheel - type **ZWZ4A** / stop valves with control disc – type **ZWR4A** /
- stop valves for actuator - type **ZWZ4B** / stop valves with control disc – type **ZWR4B** /
- stop valves for pneumatic actuator - type **ZWZ4P**

Materials

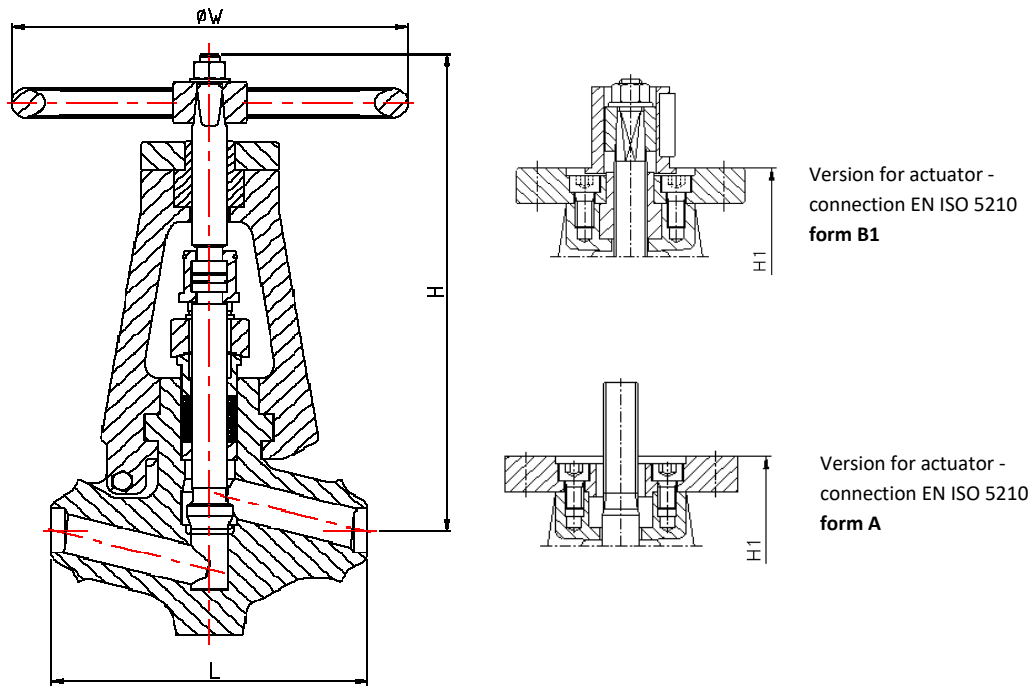
Part name	Material
Body	P250GH, 16Mo3, 13CrMo4-5, 11CrMo9-10, 14MoV6-3, X10CrMoVNb9-1
Body hardfacing	stellite
Yoke	G17CrMo9-10
Stem lower with disc	X22CrMoV12-1 + stellite
Stem packing	pure graphite
Gland flange	G17CrMo9-10
Gland	X20Cr13
Gland insert	X39CrMo17-1
Gland bolts	21CrMoV5-7
Gland nuts	21CrMoV5-7
Drive bush	bronze 2.0936
Handwheel	ductile iron



Operating data

Material	Maximum permissible operating temperature TS, °C															
	20	200	250	300	350	400	450	460	490	500	530	550	570	590	600	650
	Maximum permissible operating pressure PS, bar															
P250GH	320	317	310	290	280	260	132									
16Mo3	320	320	315	284	273	265	255	252	245	200	93					
13CrMo4-5	320	320	320	317	314	311	292	290	284	282	170	110	63			
11CrMo9-10	320	320	320	320	320	312	296	293	283	280	192	144	109	80	67	
14MoV6-3	320	320	320	320	320	320	320	320	320	320	280	213	152			
X10CrMoVNb9-1	320	320	320	320	320	320	320	320	320	320	311	298	274	218	180	93

Dimensions and weights



DN	10	15	20	25	32	40	50	65
L			160			250		250
H			272			372		385
H1			216			322		325
W			200			320		320
Weight /kg/			8,5			28		30

Additional information

Products meets requirements of Directive PED: 2014/68/EU.

Acceptance tests: EN 12266-1, leak tightness class – A.

Buttweld ends dimensions according to customer's requirements.

Special versions on customer's request are available.