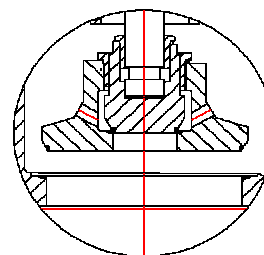
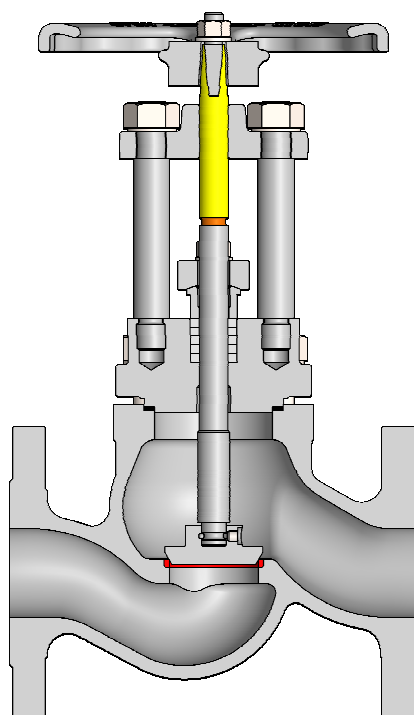


STRAIGHT PATTERN STOP VALVES PN40 DN15 – DN200 flanged

The valves are designed for application in piping installations. They are manufactured in following versions:

- stop valves with handwheel – type **ZPZ3A** / with control disc – type **ZPR3A**
- stop valves for actuator – type **ZPZ3B** / with control disc – type **ZPR3B**
- stop valves for pneumatic actuator – **ZPZ3P**
- stop-check valves – type **ZFX3** / with spring – **ZFY3**



Option:
pressure equalizing plug
for DN125 - DN200

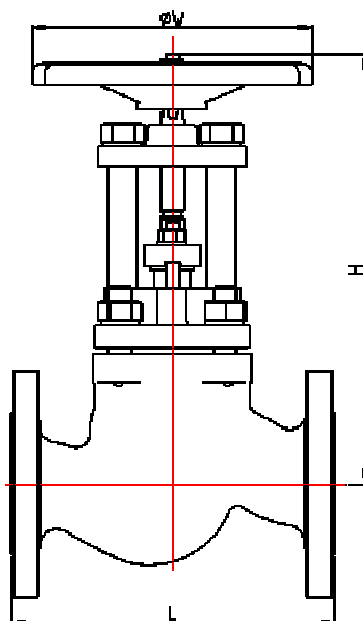
Permissible differential pressure
acc. to EN 13709 - see table 3.

Standard materials

Part name	Standard material		
Body	GP240GH	G17CrMo5-5	GX5CrNiMo19-11-2
Body hardfacing	18% Cr		—
Bonnet	GP240GH	G17CrMo5-5	GX5CrNiMo19-11-2
Stem	1.4021		1.4571
Disc ≤ DN50	1.4021 hardend		1.4571
Disc > DN50	base material + 13%Cr		stellite
Gland flange	1.0619		1.4408
Gaskets	camprofile gasket with graphite		
Handwheel	ductile iron		

other materials on request

Dimensions



DN	15	20	25	32	40	50	65	80	100	125	150	200
L	130	150	160	180	200	230	290	310	350	400	480	600
H	200	200	200	220	265	265	272	347	357	367	460	515
W	160	160	160	160	200	200	200	250	315	315	400	500

End connections

- Flange with raised face - type B1

Dimensions of end connections

- Flanges PN 40 acc. to EN 1092-1

Pressure – temperature rating - see table 1.

Additional information

Product meets requirements of Directive PED:2014/68/EU.

Acceptance tests: EN 12266-1, leak tightness – class A.

Leak tightness of valves **ZFX3**, **ZFY3** – class A, when operate as stop ones,
– class B, when operate as check ones.

Face to face dimension: series 1 acc. to EN 558.

Special versions on client's request are available.